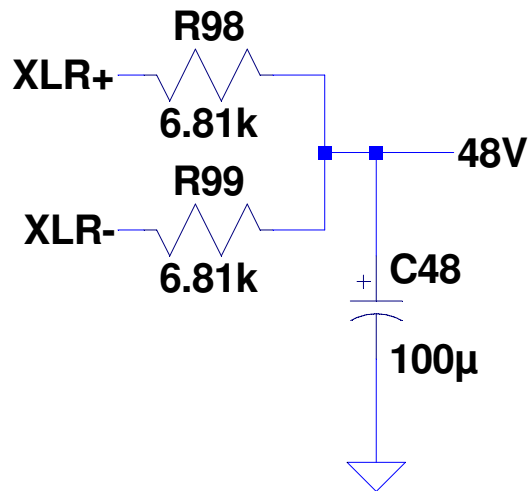
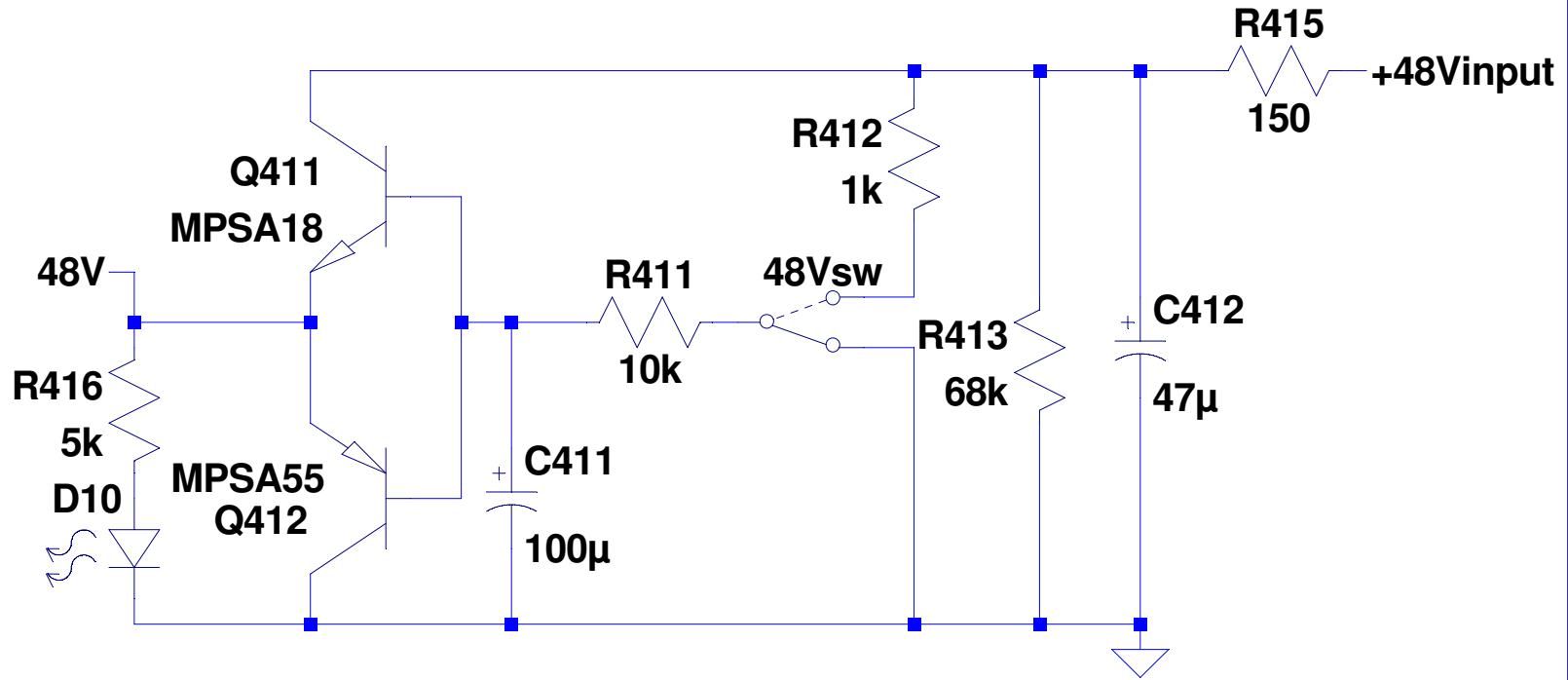


PotsPCB



2NV-POTS
rev1.00